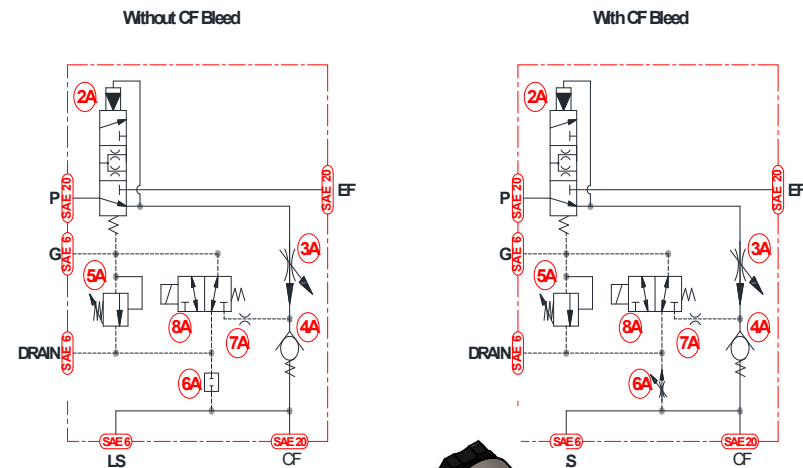
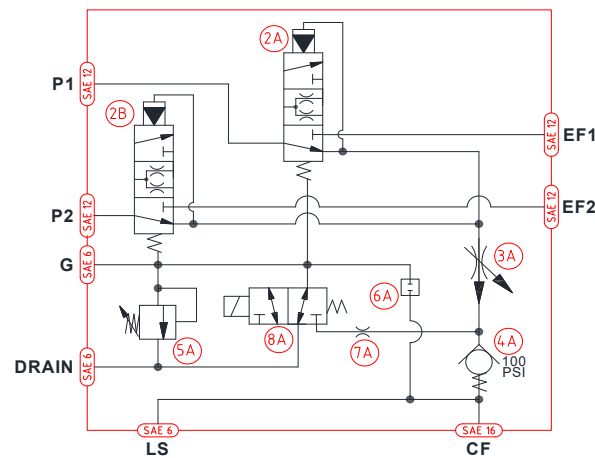


TYPICAL SCHEMATICS FOR SINGLE PUMP INPUT UNITS



TYPICAL SCHEMATIC FOR DUAL PUMP INPUT UNITS

(Shown w/o CF Bleed)

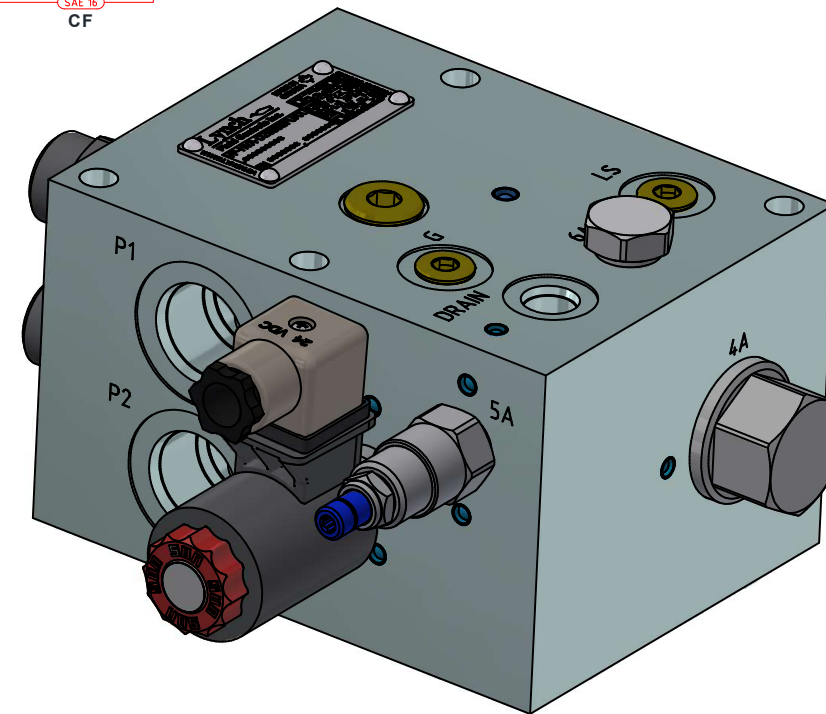
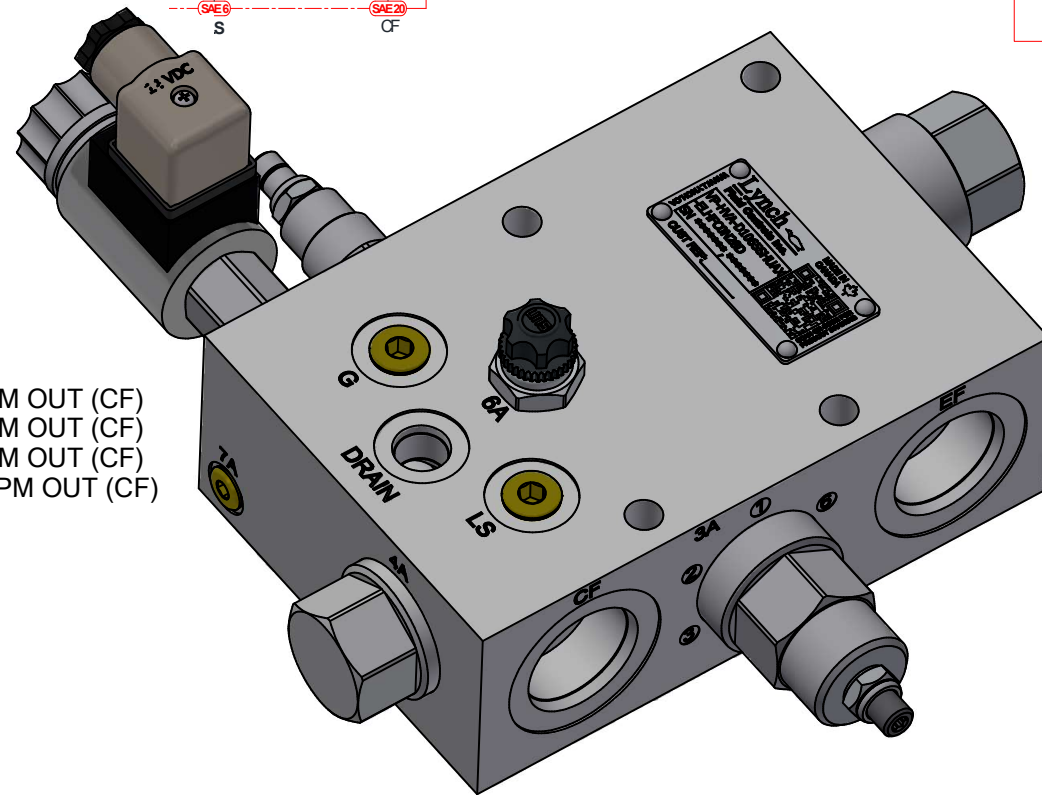


NOTE FOR DUAL PUMPS:
 CANNOT USE EF1 & EF2
 AT THE SAME TIME
 WHILE CF IS ON

	DWG NO	HAMMER VALVE SERIES	DATE
	MODEL CODE	VP-HV_ _	JUNE 2015
PROPRIETARY NOTICE THIS DRAWING DESCRIBES A PROPRIETARY PRODUCT OF LYNCH FLUID CONTROLS INC. WHICH MAY NOT BE REPRODUCED IN WHOLE OR IN PART NOR GIVEN TO A THIRD PARTY WITHOUT WRITTEN PERMISSION FROM LYNCH FLUID CONTROLS INC.		TITLE	
DATA UNIT: INCH 3RD ANGLE PROJECTION		SINGLE OR DUAL INPUT HAMMER VALVES WITH PRESSURE AND FLOW CONTROL	

DUAL PUMP MAX FLOW:
 2015 = 2x 15 GPM INLET (P1 & P2), ~ 21 GPM OUT (CF)
 2065 = 2x 65 GPM INLET (P1 & P2), ~ 91 GPM OUT (CF)
 2130 = 2x 130 GPM INLET (P1 & P2), ~ 182 GPM OUT (CF)

SINGLE PUMP MAX FLOW:
 1015 = 15 GPM INLET (P1), ~ 11 GPM OUT (CF)
 1035 = 35 GPM INLET (P1), ~ 25 GPM OUT (CF)
 1065 = 65 GPM INLET (P1), ~ 46 GPM OUT (CF)
 1130 = 130 GPM INLET (P1), ~ 91 GPM OUT (CF)



PART NUMBER SELECTION

VP-	HV	Circuit (Determined by valve size)		MATERIAL	FUNCTION	Flow Capacity			Port Type		Port Size (Determined by Flow)		Mounting Type		Maj Rev Level	Min Rev Level	Modulating Spring Rate (2A)	Needle Control (3A)	Needle Range (3A) (Determined by Valve Size)		Check Crack PSI (4A)		Adjustment Range (5A)			Orifice Options (6A)			SEAL MATERIAL		CONTROL		SOLENOID CONNECTOR OPTIONS					
		CODE	TYPE			CODE	TYPE	Select	CODE	TYPE	Select	CODE	SIZE	CODE					THREAD	CODE	Level	CODE	Version	CODE	TYPE	CODE	TYPE	CODE	TYPE	Select	CODE	TYPE	Select	CODE	MATERIAL	Select	CODE	VOLTAGE
Valve Pack	Hammer Valve	A	Standard HVD	A	1	O15	15 GPM		S	SAE STD	D	#8	U	UNC	X	X	X	X	E	75 PSI	L	STANDARD SCREW	F	0.281	F	100 PSI	A	500 TO 3000 PSI	0	Std W/ No CF Bleed	N	BUNA	14	14 Vdc		D	DIN W/ S18211TC4*1	
		C	Standard HVD w ext orf cav	D	2	O35	35 GPM				F	#12																										
				O65	65 GPM						H	#16																										
						O130	130 GPM				I	#20																										

TYPICAL PART NUMBER:
VPHVA-D1065SHUAX-ELHFC0N28D
 DI Body, Single Pump, 65 GPM Input, SAE #16 Ports, UNC mounting, 75 PSI Spring, Screw Adjustment, 0.688"
 Max Orifice, 100 PSI Check, 500 to 6000 PSI, No CF Bleed, Buna Seals, 28 VDC Coil w/ DIN Connector

PROPRIETARY NOTICE
 This Drawing describes a Proprietary Product of Lynch Fluid Controls Inc. which may not be reproduced in whole or in part nor given to a third party without written permission from Lynch Fluid Controls Inc.

1799 Argentia Rd.
 Mississauga, Ontario
 Canada L5N 3A2
 Phone : 1 905 363 2400
 Phone : 1 888 626 4365
 Fax : 1 905 363 1192
 www.lynch.ca